

CLEANERS ROOM AND WASTE BINS

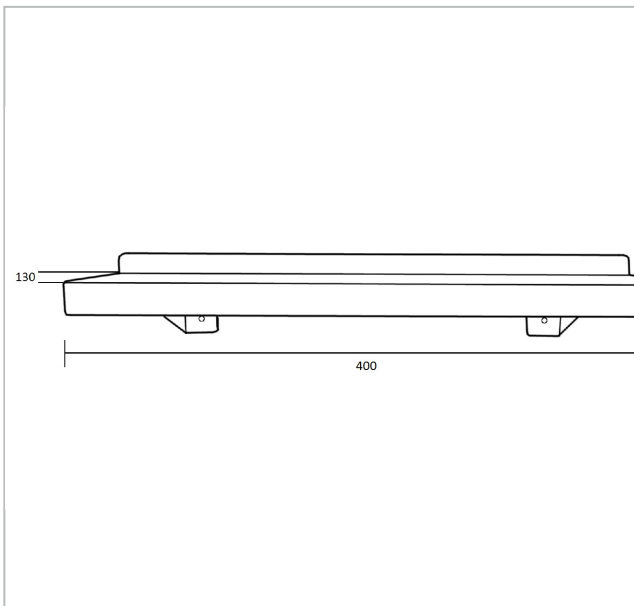


ML951_400 Utility Shelf

SPECIFICATIONS

Material	#304 Stainless Steel
Finish	Satin Stainless Steel
Size	400mmW x 70mmH x 130mmD
Mounting Holes	4
Note	* This unit is accessible compliant when installed in accordance with AS1428.1. guidelines.
Related Video	Stainless Steel Cleaning & Maintenance

SUITABLE APPLICATIONS



The photographs and line drawings of the products presented above are representational only.
Metlam Australia Pty Ltd reserves the right to, and from time to time, make changes and improvements in design and dimensions.